

KAMI ELECTRONICS IND. CO., LTD.

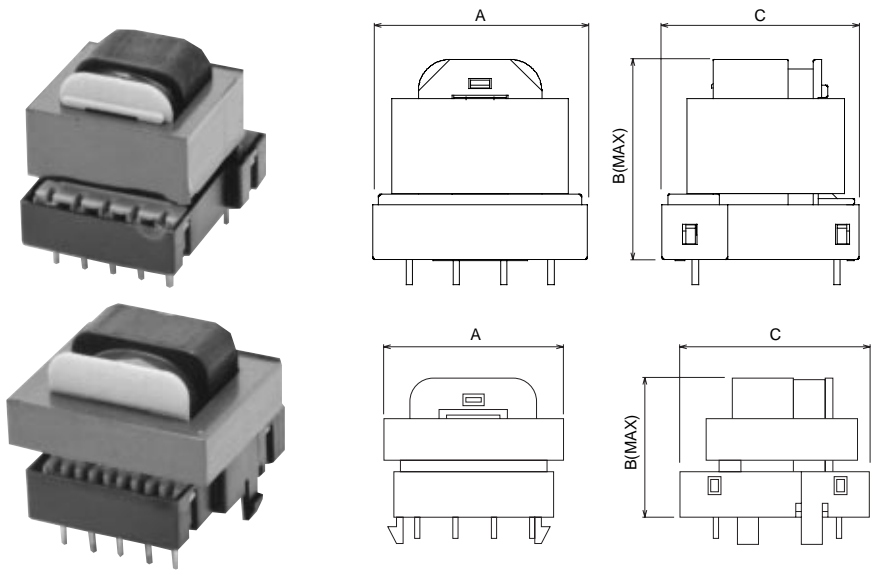
PIN TRANSFORMERS (PS TYPE)

● DOMESTIC(JAPAN) UL CSA IEC

● TYPE PS

They are available for stand-by.

Model	A	B	C	VA	Fig.
PS2810	34.0	29.0	32.0	1.0	I
PS2812	34.0	31.0	32.0	1.5	I
PS2815	34.0	34.0	32.0	2.0	I
PS3508	35.5	29.0	38.0	1.5	II



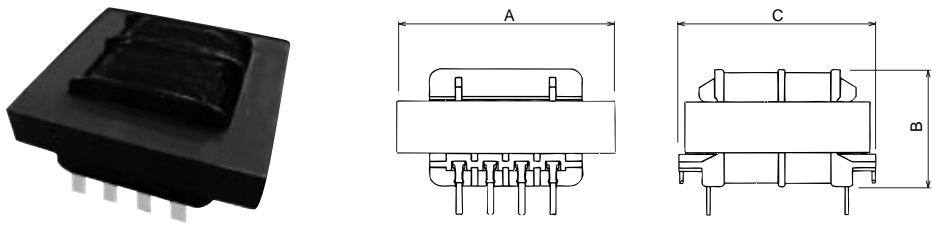
THIN TRANSFORMERS (PLS,PLF TYPE)

● DOMESTIC(JAPAN)

● TYPE PLS

These series are available for the thinner-sized sets.
PLS series are 15mm height. They are available for controller unit and stand-by transformers.

Model	A	B	C	VA
PLS3506	35.0	15.0	35.0	1.0



● TYPE PLF

PLF series are 21mm height within temperature fuse.
These series are available for the thinner size sets and controller units.

Model	A	B	C	VA
PLF4808	48.5	21.0	44(MAX)	2.5
PLF5208	52.5	21.0	48(MAX)	3.5

VA means 50Hz

