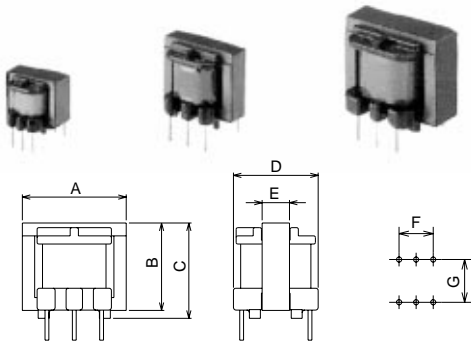


KAMI ELECTRONICS IND. CO., LTD.

LOW FREQUENCY TRANSFORMERS

High quality, low-price input-output transformers using uniformed on-line manufacture overseas.



Model	A	B	C	D	E	F	G
E1405P	14.5	11.0	12.0	15.0	5.0	6.0	12.0
E1605P	16.5	14.5	16.5	14.0	5.0	10.0/5.0	10.0
E1905P	19.5	15.0	17.5	15.5	5.5	10.0	12.5
E2408P	24.5	18.5	20.0	21.5	8.5	10.0	18.5