

HIGH CURRENT AND HIGH FREQUENCY REACTOR FOR PREVENT HARMONICS

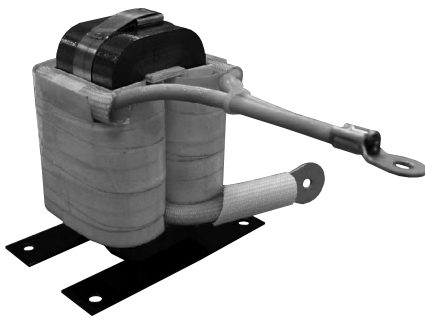
These reactors with amorphous cores can be used for prevent from harmonics.

Features

1. Maximum current 150A.
2. Stable inductance.
3. Superior DC bias characteristics.
4. Low loss at high frequency.
5. Applicable to custom order.

Applications ● Inverter air conditioners ● U.P.S. ● Soler Invertor ● Wind power Invertor

● TYPE AI



DC SUPERIMPOSITION CHARACTERISTICS FOR EXAMPLE

